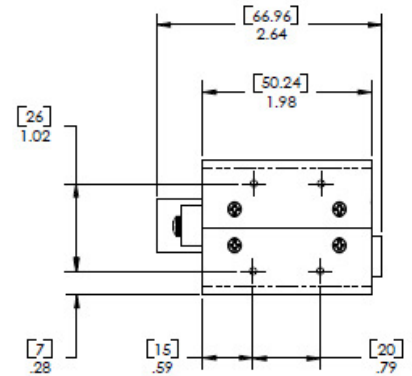
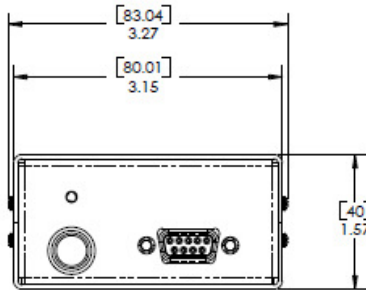
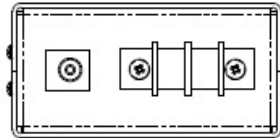
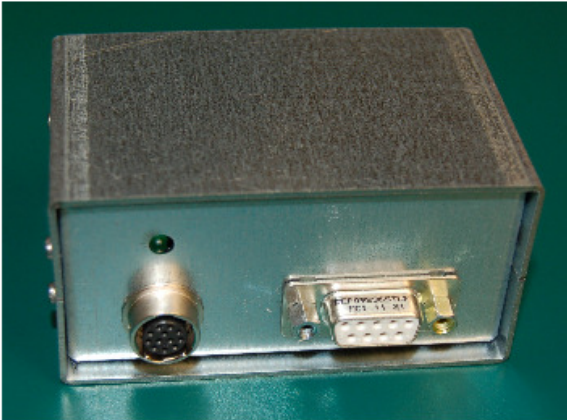


< The Interface Box of CA-000 and the AC adaptor of PA-009 introduction >

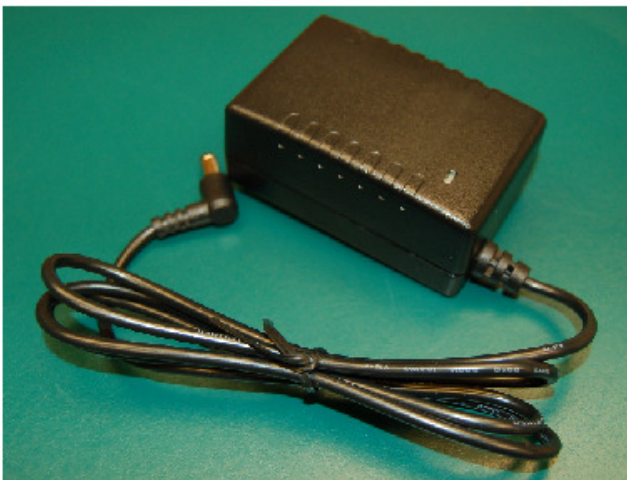
09/30/2011

Vidtek is pleased to announce the Interface Box of CA-000 and the AC adaptor of PA-009 for the Vidtek L-Bracket model of VFCB-SDI63L and the Housing model of VFCB-SDI63H. The combination of these makes your connections simple, and secures the camera operation. Please see the System Configuration on the 2nd page.

The CA-000 of the Interface Box



The PA-009 of the AC Adaptor



RoHS Compliance

Dimensions; L 79.5 x W 50.0 x H 72.1 mm

Net Weight; 160 grams Max.

SAFETY STANDARDS

- UL UL60601-1
- CSA CSA-C22.2 NO.601.1-M90
- NEMKO EN60601-1
- CB IEC 60601-1

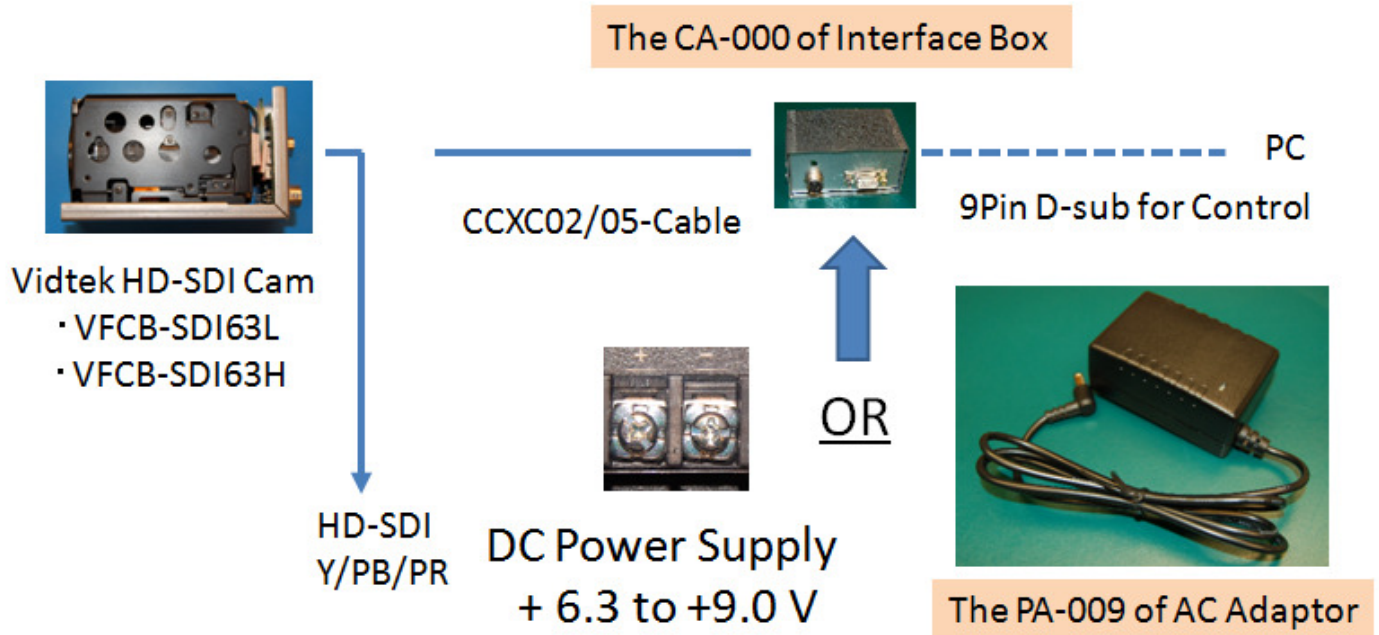
EMI STANDARDS

- EN60601-1-2
- FCC Part 18 Class B
- EN55011 Class B
- CE

ENVIRONMENTAL

- Operating temperature : -20°C to +40°C
- Storage temperature : -20°C to +85°C
- Humidity: 20% ~ 90%.
- MTBF : >150,000 hours at full load and 25°C ambient temperature

System Configuration



Please contact me if you have any questions.

Thank you,

Ike Tanabe

R&D and New Business Development

Vidtek Associates NV, Inc.

1235 Coney Island Dr.

Sparks, NV 89431

Phone: 775-356-8787

Fax: 775-356-8799

Email: ike.tanabe@vidtek.com