

HDMI Interface Board

SONY FCB-ER8300

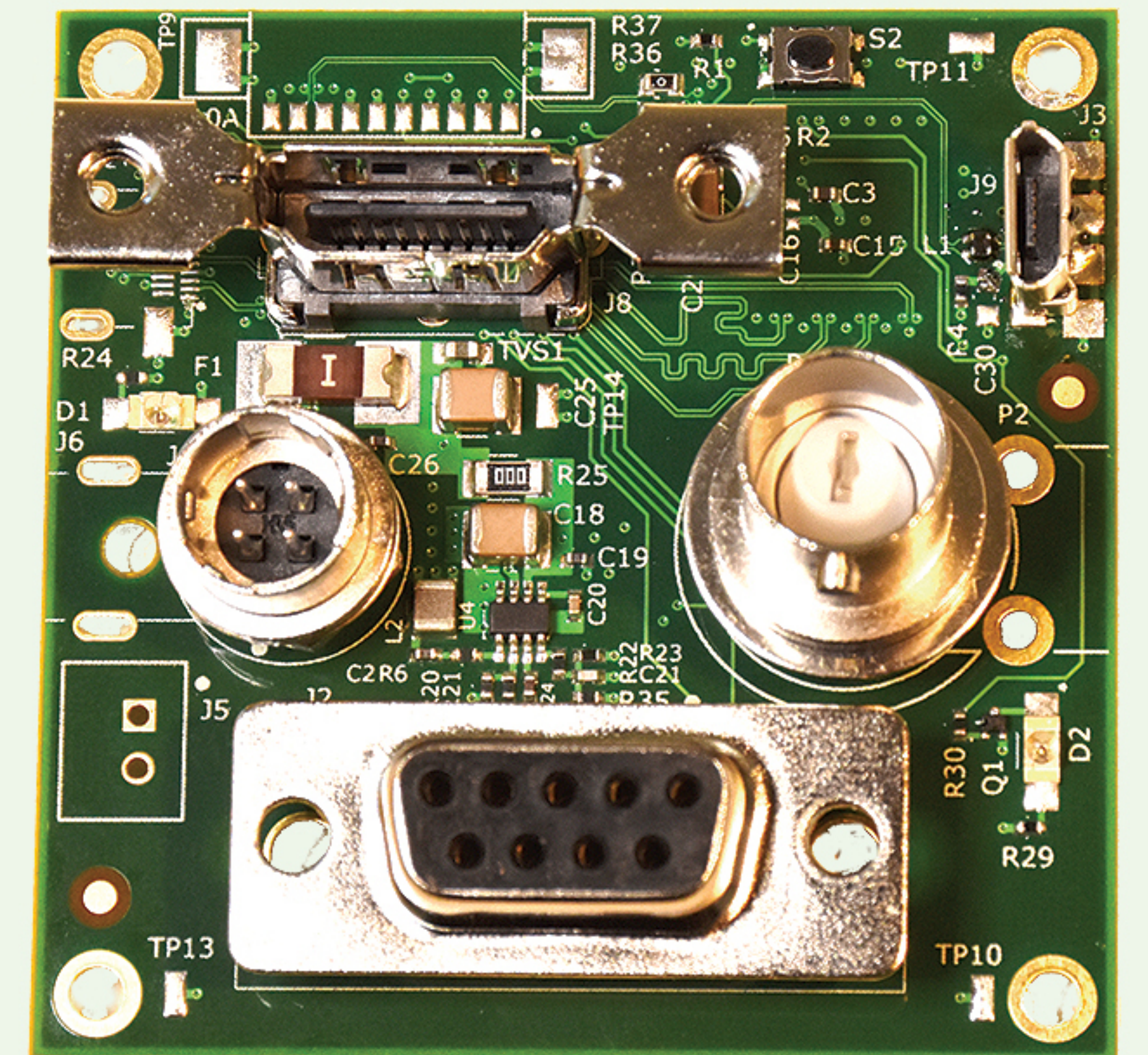
for

SONY FCB-ER8530

SONY FCB-ER8550

VIDTEK

VTK-550-4K interface board series provide up to 4K (QFHD) resolution HDMI video output signal and it supports all types of imaging applications. These series are compatible with *FCB-ER8300*, *FCB-ER8530* and *FCB-ER8550* Sony block cameras and they support a full range of video resolutions from 720P to 4K (2160P) while upholding optimum video signal quality. The serial interface on this product allows user to control compatible Sony block cameras by providing TTL and RS232C level. External sync option is also available for multi-camera systems, broadcasting and professional applications when interfacing with FCB-ER8550 camera.



- Medical Applications
- Security
- Drone Camera
- Industrial Vision
- Broadcasting
- Underwater Applications

Housing options

Custom designed housing, back panel and mounting bracket are available upon request*



* For more information please refer to Vidtek Camera Series catalog.

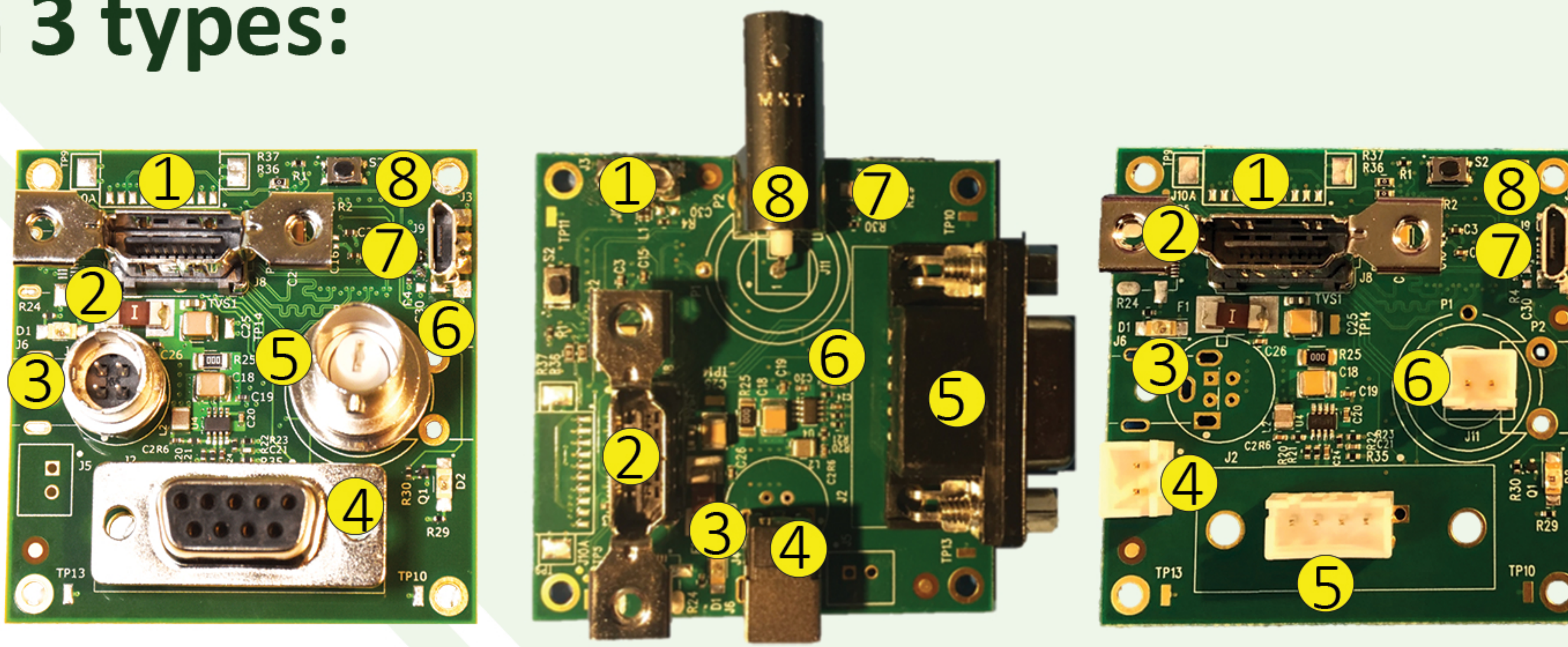
Sony FCB- ER8550



- 1/2.5-type Exmor RTM CMOS
- Output pixels: QFHD(4K) 2160p (3,840 × 2,160)
- Motion detection
- 2D/3D Noise Reduction
- 30× Super Resolution Zoom(SRZ) and 20× Optical zoom
- StableZoom™
- Clear vision round the clock with Day/Night
- External Synchronization
- Auto ICR (Auto IR-cut Filter Removal)



Available in 3 types:

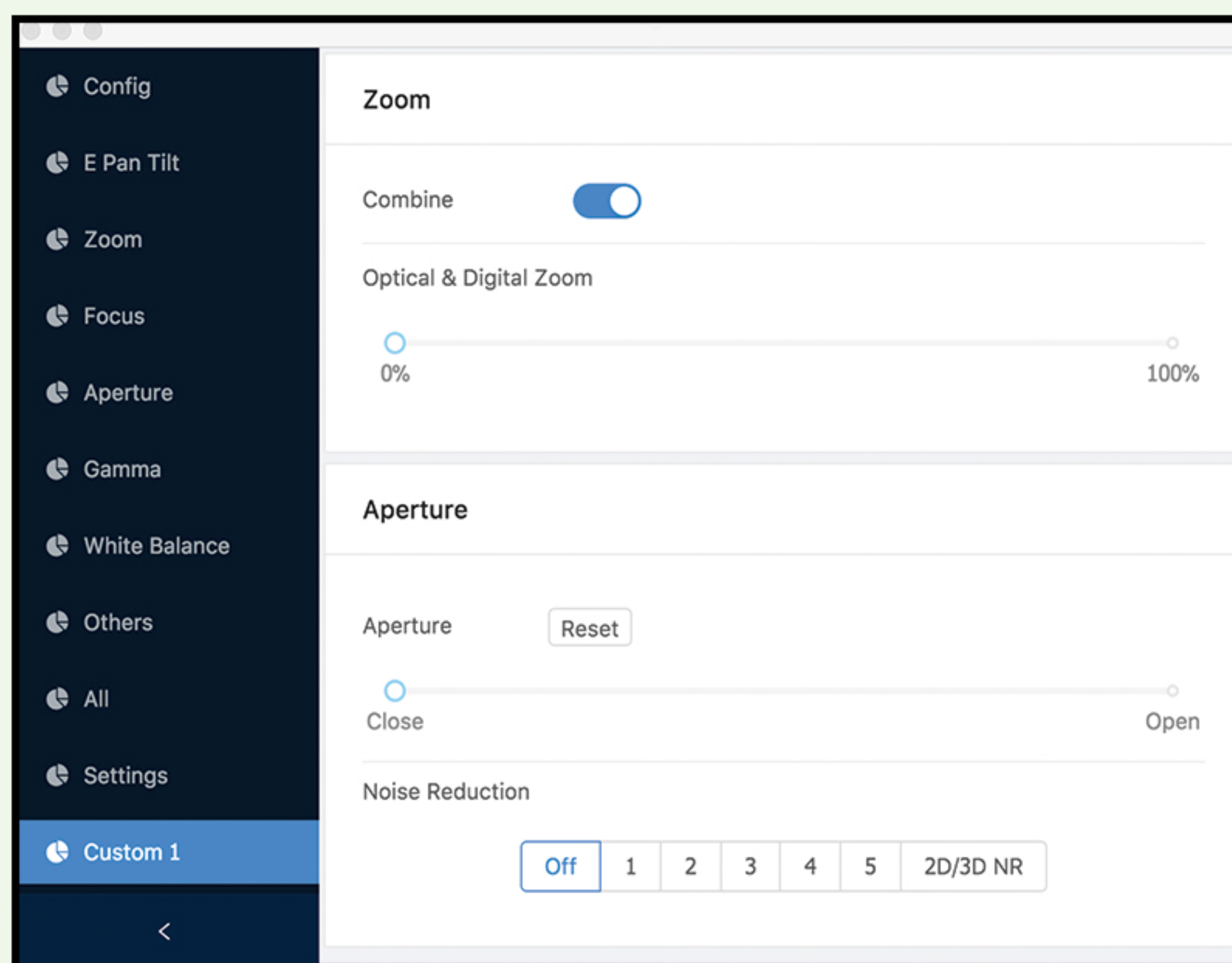


Models	VTK-550-4K1	VTK-550-4K2	VTK-520-4K3
Connectors	<ul style="list-style-type: none"> ① Vertical HDMI ② Power LED Indicator ③ Vertical 4-pin Hirose Power-in ④ Vertical Serial/DSUB9 For VISCA Command Control ⑤ Vertical BNC for External Sync ⑥ Sync lock LED Indicators ⑦ Vertical Micro USB ⑧ HDMI Cable Gain Control Switch 	<ul style="list-style-type: none"> ① Right Angel Micro USB ② Vertical HDMI ③ Power LED Indicator ④ 5.5mm jack Power In ⑤ Right Angel Serial/DSUB9 Connector for VISCA Command Control ⑥ HDMI Cable Gain Control Switch ⑦ Sync Lock LED Indicators ⑧ Right Angel BNC for External Sync 	<ul style="list-style-type: none"> ① 10-Pin Connector (*) ② Vertical HDMI ③ Power LED Indicator ④ 2-Pin Header Power In ⑤ 4-Pin RS-232 Connector ⑥ 2-Pin Header External Sync ⑦ Vertical Micro USB ⑧ HDMI Cable Gain Control Switch
Accessories	<ul style="list-style-type: none"> • +12v Hirose Power Supply • 4K HDMI Cable • D-sub9 M/M Cable • BNC Cable • Micro USB Cable 	<ul style="list-style-type: none"> • +12v Power Supply With 5.5mm Jack • 4K HDMI Cable • D-sub9 M/M Cable • BNC Cable • Micro USB Cable 	<ul style="list-style-type: none"> • 2-Pin Open End Cable • 4-Pin Open End Cable • 10-Pin Open End Cable <p>* Optional</p>

Features

- Configurable video output resolution from VGA to 4K
 - o QFHD (3840 × 2160) @ 29.97p and 25p
 - o FHD (1920 × 1080) @ 59.94p, 50p, 59.94i, 50i, 29.97p and 25p
 - o HD (1280 × 720) @ 59.94p, 50p, 29.97p and 25p
- RGB/YUV output video format
- External Sync for selected models
- Power and Sync LED indicator
- 9-12V power input
- HDMI cable gain configuration switch
- Micro USB for camera firmware upgrade
- Board dimensions: 50 (W) × 50(H) mm
- Different connector options are available
- UART, TTL and RS232 serial VISCA camera interface
- HDMI input and output gain control deep switch

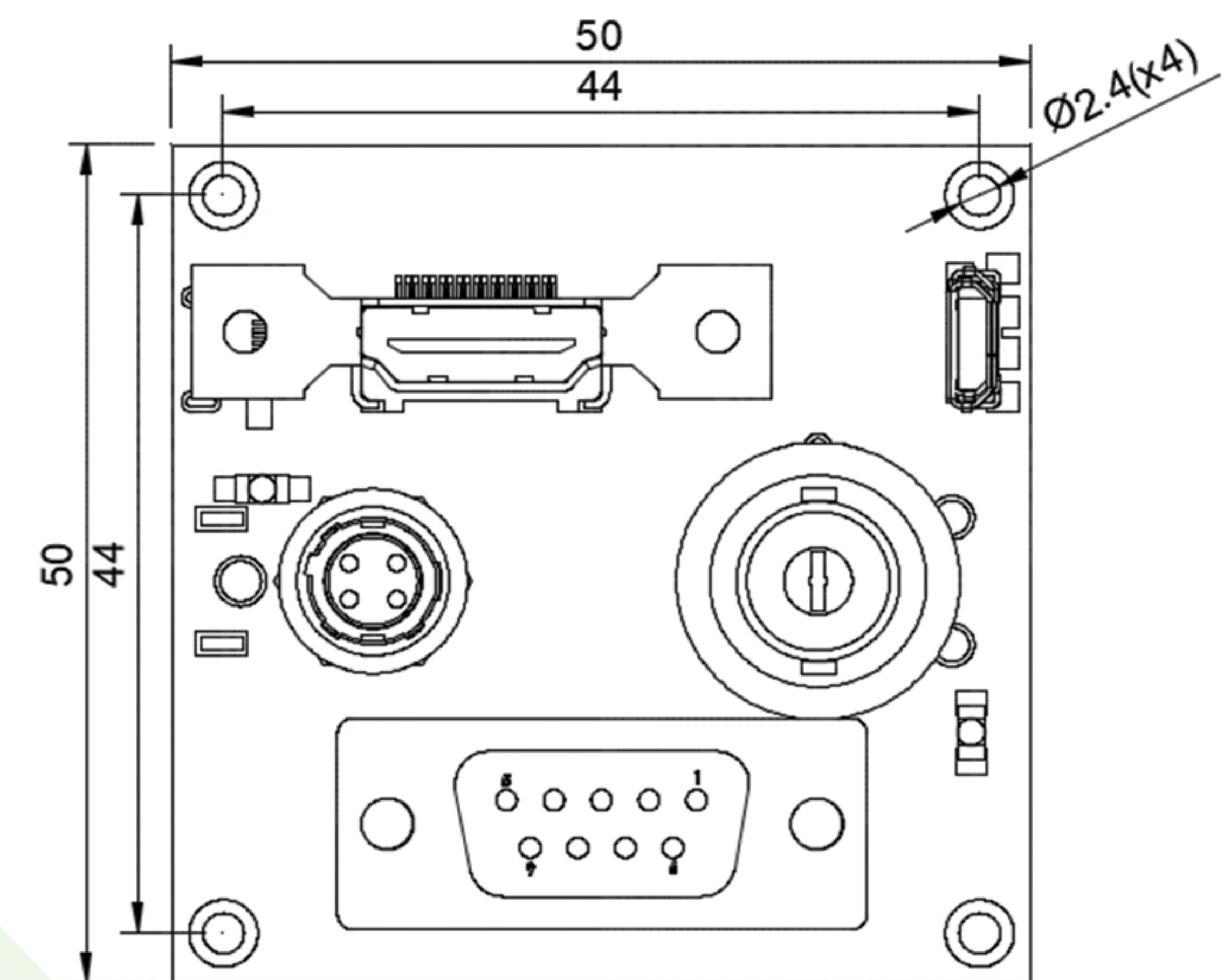
Software



Vidtek has developed an intuitive control software and API for Sony block cameras. Our highly customizable user friendly software works with VTK-550-4K series and FCB-ER8550.



Dimensions



For evaluation or any other inquiry, please contact Vidtek at: info@vidtek.com

Vidtek Associates, Inc.

www.vidtek.com

R&D
280 Martin Ave
Santa Clara, CA 95050
(408) 970-0661

Manufacturing
1235 Coney Island Dr
Sparks, NV 89431
(775) 356-8787

Sales & Marketing
809 W. Stadium Ln
Sacramento, CA 95834
(916) 929-4431